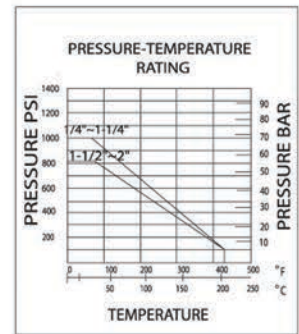


SIZE:1/4 " -4 "

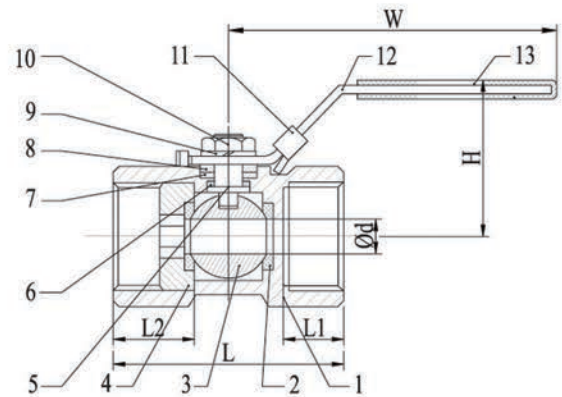
1-PC BALL VALVE, REDUCED BORE, THREADED END, 1000 WOG

- Investment Castings For Body And Cap
- Internal Entry Blow-Out Proof Stem
- Pressure Rating: 1000PSI (PN63)
- Threaded Ends: ANSI B2.1,BS 21,DIN 259/2999
- Material: CF8M,CF8,CF3M,WCB
- Pressure Test : API 598



MATERIAL LIST

ITEM	PART	MATERIAL	QTY
1	BODY	CF8M	1
2	BALL SEAT	PTFE	2
3	BALL	CF8M	1
4	CAP	CF8M	1
5	STEM	SS316	1
6	THRUST WASHER	PTFE	1
7	STEM PACKING	PTFE	1
8	WASHER	SS304	1
9	SPRING WASHER	SS304	1
10	NUT	SS304	1
11	LOCK DEVICE	SS304	1
12	HANDLE	SS304	1
13	HANDLE COVER	PLASTIC	1



DIMENSION TABLE

SIZE	d	L	H	W	L1	L2	N.M	KGS
1/4"	5	40	32	68	11.5	15.2	4	0.06
3/8"	7	45	33	68	13.2	15.6	4	0.09
1/2"	9.5	56	42	95	17.5	22.0	6	0.15
3/4"	12.5	59	45	95	16.6	22.1	6	0.22
1"	15	71	48	95	20.1	26.0	8	0.36
1-1/4"	20	76	58.3	106	19.8	27.6	10	0.55
1-1/2"	25	85	67	128	21.0	29.7	14	0.86
2"	32	99	74.5	130	23.5	31.7	15	1.29
2 1/2"	38	110	85	170	24	25	25	2.15
3"	50	132	85	170	24.5	29	40	3.4
4"	64	180	121.5	225	36	48	48	5.9